

Airbus EC-135 (H-135) MedEvac Helicopter

The Airbus EC-135 (H-135) is a twin engine light helicopter. Frequently used as a MedEvac helicopter for civil or military users, the EC-135 is a high performance helicopter with a strong emphasis on passenger comfort. A spacious cabin with raised rear seating offers ease of assisting with patients. Other original medical hook-ups are within the cabin.

Mockup Specs

Seating: Dual Flight Controls. Seats up to 5 people, plus 1 stretcher.

Paint Scheme: Ext: Matte White Int: Gray, multiple shades

Instrument Panel: There is 1 video display screen (color) with VGA inputs, video playback required. The rest of the gauges are standard flight instruments. (Contact us about the functions of them.)

Note: Transport base for skids can be mounted on a gimbal.



Shown with tail boom removed and on a shipping stand with casters.



Rear view of patient loading.

Main Body Dimensions:

L: 19.3' with no tail

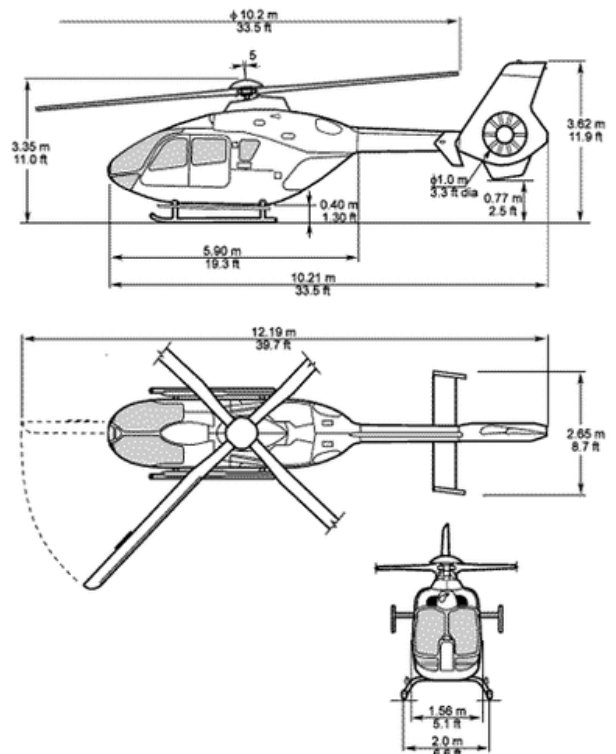
W: 5.2' body

6.7' skid to skid

H: 10.3' w/ no rotor blades

Weight: 3,500 lbs. (Approx.)

Comes with removable tail boom assembly.
(No rotors/blades included.)



More images available upon request.